

**PLATINUM**

**KACL.237**  
Platinum - 97 cm

97 c - 800 3/

Mirabilia

**EAN**

8034122700519

**EAN**

8034122343181



**(AISI 304)**

97 cm

(AISI 304)

800 m<sup>3</sup>/h

4

**KACL.575#I**

LED 4x1,2 W - 3200 K

**KACL.576#I**

**KACL.815**

( 10 )

**KACL.784#46F**

- 6 -

**KACL.770#41F**

: 60 cm

**KACL.786#41F**

: 52 cm

**KACL.796#4AF**

**KACL.797#4AF**

**PLATINUM**

97 c - 800 3/

30.00 kg

24.00 kg

**Volume**

0.43 m<sup>3</sup>

1310 mm

595 mm

550 mm

**VETRO**

Platinum -

97 cm

Ø170

11.00 kg

9.00 kg

0.12 m<sup>3</sup>

590 mm

440 mm

450 mm

280 W

220-240V

50-60Hz

Shuko

680 m<sup>3</sup>/h

I.E.C. 61591

68 dB(A)re1pW

I.E.C.60704-2-13

510 Pa

224 W

**falmec**

**PLATINUM**

**KACL.237**

Platinum - 97 cm

97 c - 800 3/

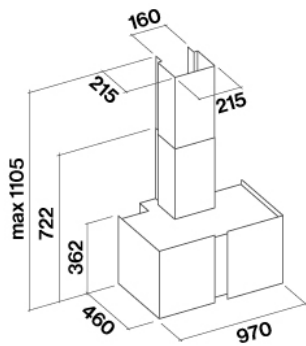
Mirabilia

**EAN**

8034122700519

**EAN**

8034122343181



**PLATINUM**

**KACL.237**

Platinum - 97 cm

97 c - 800 3/

**EAN**

Mirabilia

8034122700519

**EAN**

8034122343181

	1	2	3	4
<b>dB(A)re1pW-I.E.C.60704-2-13</b>	<b>54</b>	<b>57</b>	<b>63</b>	<b>68</b>
<b>I.E.C.61591 (m<sup>3</sup>/h)</b>	<b>270</b>	<b>370</b>	<b>490</b>	<b>680</b>
<b>( )</b>	<b>390</b>	<b>440</b>	<b>490</b>	<b>510</b>
<b>(W)</b>	<b>130</b>	<b>150</b>	<b>178</b>	<b>224</b>
	<b>150</b>	<b>150</b>	<b>150</b>	<b>150</b>

/

