

LUMEN ISOLA 175

Version

FDLUM70I5SS-2L Lumen
Island 175 - Left 36"/90cm -
500 CFM

Collection

Design

EAN code

8034122360379



Photograph is for information purposes only
May not correspond to the selected version

FEATURES

Perimeter suction
Electronic control
LED lighting
Metallic grease filter,
removable and washable
Charcoal filter included
Available with chimney on the
left side

Active Carbon filters:

FFCHASQC0BL

OPTIONAL ACCESSORIES

KACL.557#I

Extension H1200 - Island

KACL.770#41F

Remote under-roof 1100 m3/h
Brushless

KACL.786#41F

Outdoor extractor fan 1000
m3/h

KACL.796#4AF

Outdoor extractor fan 1500 m3/h

KACL.797#4AF

Remote under-roof motor 1300
m3/h

KACL.798#41F

Remote under-roof motor 950
m3/h

KACL.815

Protective cleaning cloths for
stainless steel (box 10 pcs)

KACL.934

Carbon.Zeo filters

KACL.949#IF

Carbon.Zeo island hoods kit

TECHNICAL FEATURES

Installation type

Island

Finish

Scotch brite stainless steel (AISI
304)

Motor

500 CFM

Type of control

Electronic control

Speed settings

3

Lighting

LED 4 x 10 W (5700 K)

Filter

Metallic filter "Base" - 274x274
mm

Charcoal filter

FFCHASQC0BL - Square
charcoal filter - Type 3 (optional)

Minimum distance

Gas hob: 25 in

Electric hob: 21 in

PACKAGING:WEIGHTS AND VOLUMES

Gross weight

131 lbs

Net weight

106 lbs

Volumes

24 ft³

Packaging size

Length

76 in

Height

19 in

Depth

29 in

CONSUMPTION AND CONNECTION FEATURES

Maximum consumption

280 W

Plug type

Hood comes standard with Nema
5-15P power cord

MOTOR TECHNICAL SHEET

Maximum capacity

670 m³/h

I.E.C. 61591

Maximum noise level

67 dB(A)re1pW

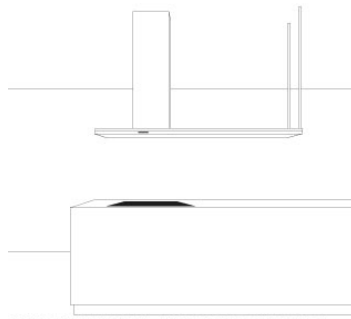
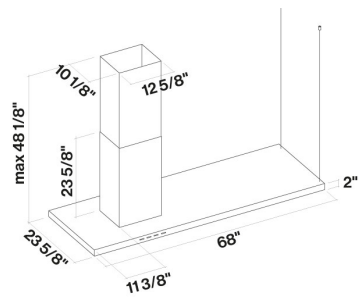
I.E.C.60704-2-13

Maximum pressure (Pa)

500 Pa

Max. motor power

215 W



LUMEN ISOLA 175 - VERSIONE SINISTRA
LUMEN ISLAND 175 - LEFT-HAND VERSION

LUMEN ISOLA 175

Version

FDLUM70I5SS-2L Lumen
Island 175 - Left 36"/90cm -
500 CFM

Collection

Design

EAN code

8034122360379

MOTOR TECHNICAL SHEET

Motor Speed	1	2	3	4
Noise level dB(A)re1pW-I.E.C.60704-2-13	49	55	61	67
Capacity (m3/h) I.E.C.61591	270	360	470	670
Maximum pressure (Pa)	390	420	460	500
Motor Power (W)	134	156	180	215
Air outlet	150	150	150	150

CAPACITY / PRESSURE

