

## LUMEN ISLAND 175

### Version

Lumen Island 175 - Left

### Collection

Design

### EAN code

8034122358604



The photograph is purely for information  
It may not correspond to the selected version.

## FEATURES

**Scotch brite stainless steel (AISI 304)**

**Perimeter suction**

**Electronic control**

**LED ambient light**

**Metallic grease filter, removable and washable**

**Charcoal filter included**

**Available with chimney on the left side**

The extraction area and button board are on the left side in respect to the front side.

The extractor part is 90 cm wide and is placed under the chimney.

For high ceilings it is possible to use the h1200 extra lenght kit: KACL.557#I + KACL.350.

## OPTIONAL ACCESSORIES

### KACL.557#I

Extension H1200 - Island

### KACL.815

Protective cleaning cloths for stainless steel (box 10 pcs)

### KACL.798#41F

Remote under-roof motor 950 m<sup>3</sup>/h

### KACL.770#41F

Remote under-roof 1100 m<sup>3</sup>/h  
Brushless

### KACL.786#41F

Outdoor extractor fan 1000 m<sup>3</sup>/h

### KACL.796#4AF

Outdoor extractor fan 1500 m<sup>3</sup>/h

### KACL.797#4AF

Remote under-roof motor 1300 m<sup>3</sup>/h

## TECHNICAL FEATURES

### Installation type

Island

### Dimensions

175 cm

### Finishing

Scotch brite stainless steel (AISI 304)

### Motor

800 m<sup>3</sup>/h

### Type of control

Electronic control

### Speed settings

4

### Lighting

LED 4 x 10 W (5700 K)

### Filter

Metallic filter "Base" - 274x274 mm - 2 pz

### Charcoal filter

Square charcoal filter - Type 3 - included

### Minimum distance

Gas hob: 63 cm

Electric hob: 52 cm

## PACKAGING:WEIGHTS AND VOLUMES

### Gross weight

59.00 kg

### Net weight

48.00 kg

### Volume

0.66 m<sup>3</sup>

### Packaging size

Length

1905 mm

Height

725 mm

Depth

475 mm

## CONSUMPTION AND CONNECTION FEATURES

### Maximum consumption

280 W

### Voltage / Frequency

220-240V

50-60Hz

## MOTOR TECHNICAL SHEET

### Maximum capacity

670 m<sup>3</sup>/h

I.E.C. 61591

### Maximum noise level

67 dB(A)re1pW

I.E.C.60704-2-13

### Maximum pressure (Pa)

500 Pa

### Max. motor power

215 W

### ENERGY CLASS

C

## LUMEN ISLAND 175

### Version

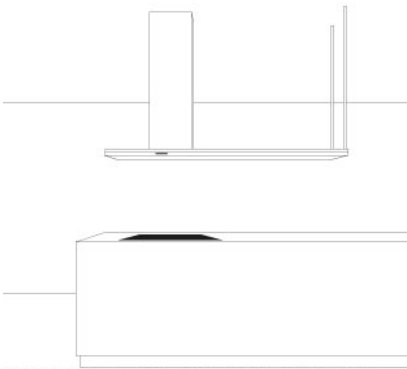
Lumen Island 175 - Left

### Collection

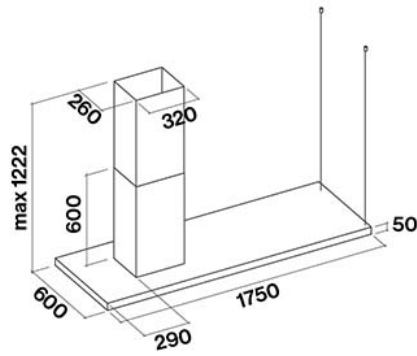
Design

### EAN code

8034122358604



LUMEN ISOLA 175 - VERSIONE SINISTRA  
LUMEN ISLAND 175 - LEFT-HAND VERSION



## LUMEN ISLAND 175

### Version

Lumen Island 175 - Left

### Collection

Design

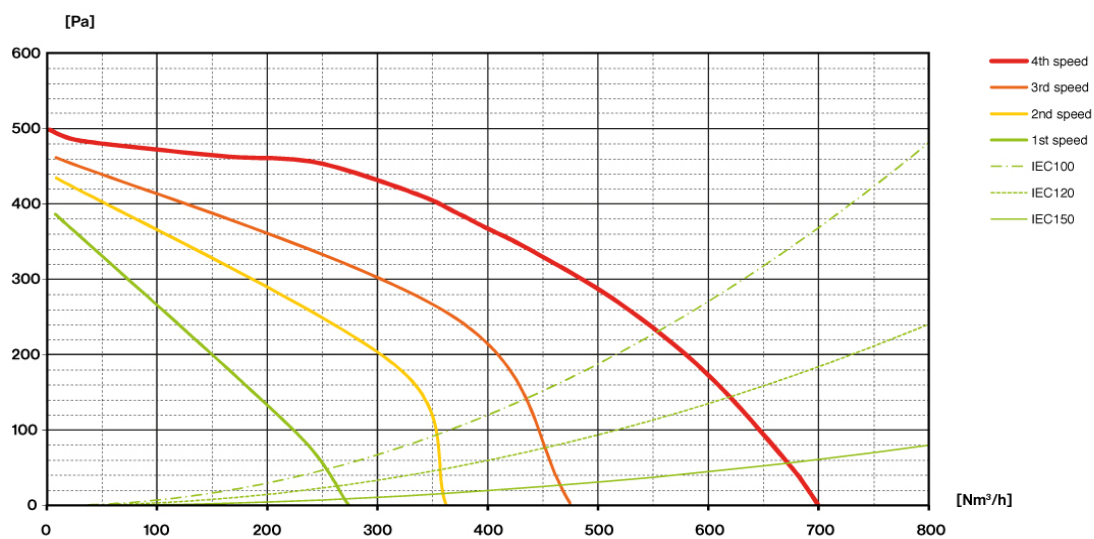
### EAN code

8034122358604

## MOTOR TECHNICAL SHEET

Motor speed	1	2	3	4
Noise level dB(A)re1pW-I.E.C.60704-2-13	49	55	61	67
Capacity (m3/h) I.E.C.61591 Normalized Pipes	270	360	470	670
Maximum pressure (Pa)	390	420	460	500
Motor Power (W)	134	156	180	215
Air outlet	150	150	150	150

## CAPACITY / PRESSURE



## LUMEN ISLAND 175

### Version

Lumen Island 175 - Left

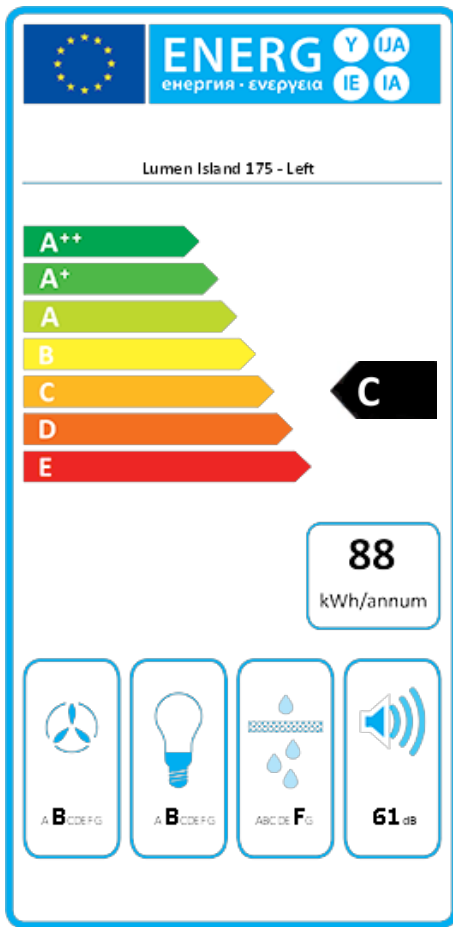
### Collection

Design

### EAN code

8034122358604

## ENERGY LABEL



PF		
<b>S</b>	Falmec Spa	
<b>M</b>	Lumen Island 175 - Left	
<b>AEC</b>	87,8	kWh/a
<b>ECC</b>	C	
<b>FDE</b>	25,5	
<b>FDEC</b>	B	
<b>LE</b>	24,0	
<b>LEC</b>	B	
<b>GFE</b>	53,0	
<b>GFEC</b>	F	
<b>Qmin</b>	270,0	m <sup>3</sup> /h
<b>Qmax</b>	470,0	m <sup>3</sup> /h
<b>Qboost</b>	670,0	m <sup>3</sup> /h
<b>SPEmin</b>	49	dBa
<b>SPEmax</b>	61	dBa
<b>SPEboost</b>	67	dBa
<b>PO</b>	-	W
<b>PS</b>	0,48	W
PI		
<b>F</b>	1,1	
<b>EEl</b>	74,4	
<b>Qbep</b>	333,0	m <sup>3</sup> /h
<b>Pbep</b>	407	Pa
<b>Qboost</b>	670,0	m <sup>3</sup> /h
<b>Wbep</b>	147,7	W
<b>WL</b>	39,00	W
<b>Emiddle</b>	937	lux
<b>Lwa-SPEmax</b>	61	dBa

**PF\_Product fiche according to 65/2014** S\_Supplier name / M\_Model identification / AEC\_Annual Energy Consumption (AEC hood) / EEC\_Energy Efficiency class / FDE\_Fluid Dynamic Efficiency (FDE hood) / FDEC\_Fluid Dynamic Efficiency class / LE\_Lighting Efficiency (LE hood) / LEC\_Lighting Efficiency class / GFE\_Grease Filtering Efficiency / GFEC\_Grease Filtering Efficiency class / Qmin\_Air flow (in m<sup>3</sup>/h) at min speed in normal use / Qmax\_Air flow (in m<sup>3</sup>/h) at max speed in normal use / Qboost\_Air flow (in m<sup>3</sup>/h) at intensive or boost setting (max air-flow) / SPEmin\_Airborne acoustical A-weighted sound power emissions at min speed in normal use / SPEmax\_Airborne acoustical A-weighted sound power emissions at max speed in normal use / SPEboost\_Airborne acoustical A-weighted sound power emissions (in dB) at intensive or boost setting / PO\_Power consumption in off mode (Po) / Ps\_Power consumption in stand by mode (Ps). **PI\_Additional information according to 66/2014** F\_Time increase factor / EEI\_Energy Efficiency Index / Qbep\_Measured air flow rate at best efficiency point / Pbep\_Measured air pressure at best efficiency point / Qboost\_Maximum air flow / Wbep\_Measured electric power input at best efficiency point / WL\_Nominal power of the lighting system / Emiddle\_Average illumination of the lighting system on the cooking surface / Lwa=SPEmax\_Sound pressure level at the highest speed.