

## TRIM

### Version

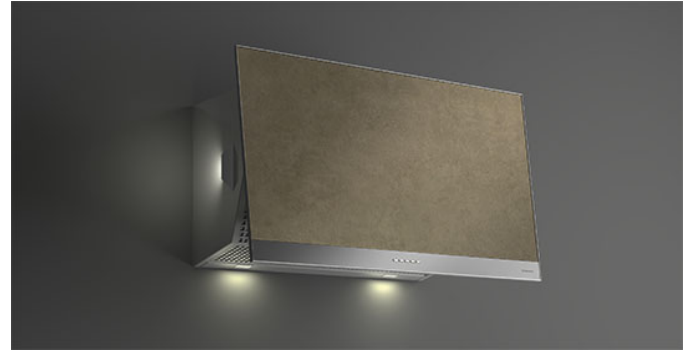
Wall 90 - Customizable - 800 m<sup>3</sup>/h

### Collection

Design

### EAN code

8034122357461



*The photograph is purely for information  
It may not correspond to the selected version.*

## FEATURES

**Scotch brite stainless steel (AISI 304)**  
**Front frame stainless steel (AISI 304)**  
**Electronic control**  
**LED ambient light**  
**LED lighting**  
**Top filter, removable and washable**  
**Charcoal filter included**  
**Possible to duct wall mounted from rear**  
**Optional Chimney**  
**Opening frontal**  
**Available for customizable panel**

## OPTIONAL ACCESSORIES

**KACL.798#41F**  
Remote under-roof motor 950 m<sup>3</sup>/h  
**KACL.770#41F**  
Remote under-roof 1100 m<sup>3</sup>/h  
Brushless  
**KACL.786#41F**  
Outdoor extractor fan 1000 m<sup>3</sup>/h  
**KACL.796#4AF**  
Outdoor extractor fan 1500 m<sup>3</sup>/h  
**KACL.797#4AF**  
Remote under-roof motor 1300 m<sup>3</sup>/h  
**KACL.941**  
External filter unit for sloped hoods

## TECHNICAL FEATURES

**Installation type**  
Wall  
**Dimensions**  
90 cm  
**Finishing**  
Available for customizable panel  
**Motor**  
800 m<sup>3</sup>/h  
**Type of control**  
Electronic control  
**Speed settings**  
4  
**Lighting**  
Led 4x1,2 W - 3200 K  
**Ambient lighting**  
Led 2x1,2 W - 3200 K  
**Filter**  
Metallic filter "Top" - Tab 60  
**Charcoal filter**  
Round charcoal filter Ø170 mm - Type 6  
**Minimum distance**  
Gas hob: 52 cm  
Electric hob: 52 cm

## PACKAGING:WEIGHTS AND VOLUMES

**Gross weight**  
25.30 kg  
**Net weight**  
20.90 kg  
**Volume**  
0.28 m<sup>3</sup>  
**Packaging size**  
Length  
995 mm  
Height  
595 mm  
Depth  
480 mm

## CONSUMPTION AND CONNECTION FEATURES

**Maximum consumption**  
280 W  
**Voltage / Frequency**  
220-240V  
  
50-60Hz

## MOTOR TECHNICAL SHEET

**Maximum capacity**  
750 m<sup>3</sup>/h  
I.E.C. 61591  
**Maximum noise level**  
66 dB(A)re1pW  
I.E.C.60704-2-13  
**Maximum pressure (Pa)**  
510 Pa  
**Max. motor power**  
224 W  
**ENERGY CLASS**  
A

## TRIM

### Version

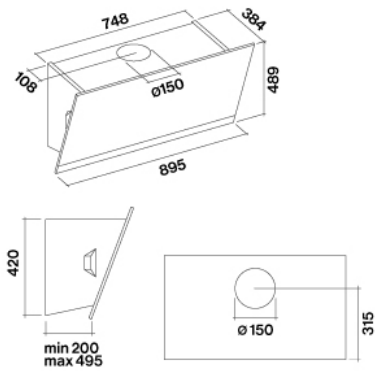
Wall 90 - Customizable - 800 m<sup>3</sup>/h

### Collection

Design

### EAN code

8034122357461



## TRIM

### Version

Wall 90 - Customizable - 800 m<sup>3</sup>/h

### Collection

Design

### EAN code

8034122357461

## MOTOR TECHNICAL SHEET

Motor speed	1	2	3	4
Noise level dB(A)re1pW-I.E.C.60704-2-13	46	53	58	66
Capacity (m3/h) I.E.C.61591 Normalized Pipes	295	390	500	750
Maximum pressure (Pa)	390	440	490	510
Motor Power (W)	130	150	178	224
Air outlet	150	150	150	150

## CAPACITY / PRESSURE



## TRIM

### Version

Wall 90 - Customizable - 800 m<sup>3</sup>/h

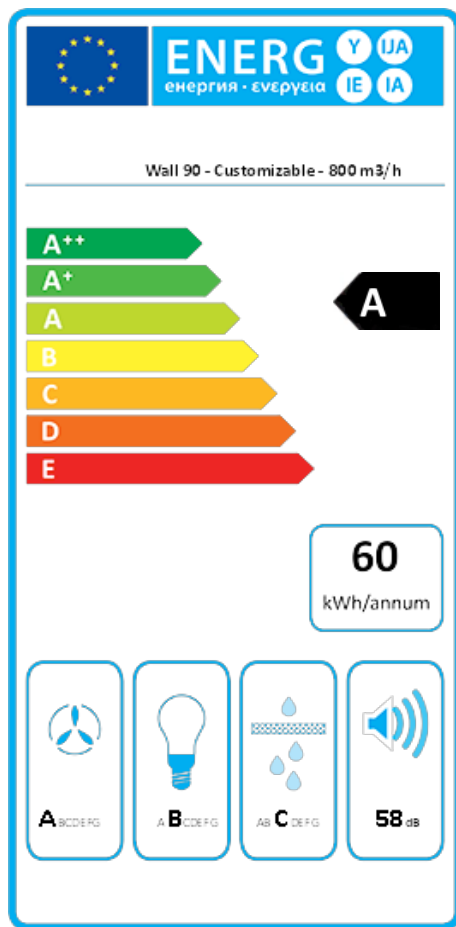
### Collection

Design

### EAN code

8034122357461

## ENERGY LABEL



PF		
<b>S</b>	Falmec Spa	
<b>M</b>	Wall 90 - Customizable - 800 m <sup>3</sup> /h	
<b>AEC</b>	60,4	kWh/a
<b>ECC</b>	A	
<b>FDE</b>	29,8	
<b>FDEC</b>	A	
<b>LE</b>	26,9	
<b>LEC</b>	B	
<b>GFE</b>	82,0	
<b>GFEC</b>	C	
<b>Qmin</b>	295,0	m <sup>3</sup> /h
<b>Qmax</b>	500,0	m <sup>3</sup> /h
<b>Qboost</b>	750,0	m <sup>3</sup> /h
<b>SPEmin</b>	46	dBa
<b>SPEmax</b>	58	dBa
<b>SPEboost</b>	66	dBa
<b>PO</b>	-	W
<b>PS</b>	0,48	W
PI		
<b>F</b>	0,9	
<b>EEl</b>	54,7	
<b>Qbep</b>	432,0	m <sup>3</sup> /h
<b>Pbep</b>	407	Pa
<b>Qboost</b>	750,0	m <sup>3</sup> /h
<b>Wbep</b>	164,0	W
<b>WL</b>	9,00	W
<b>Emiddle</b>	242	lux
<b>Lwa-SPEmax</b>	58	dBa

**PF\_Product fiche according to 65/2014** S\_Supplier name / M\_Model identification / AEC\_Annual Energy Consumption (AEC hood) / EEC\_Energy Efficiency class / FDE\_Fluid Dynamic Efficiency (FDE hood) / FDEC\_Fluid Dynamic Efficiency class / LE\_Lighting Efficiency (LE hood) / LEC\_Lighting Efficiency class / GFE\_Grease Filtering Efficiency / GFEC\_Grease Filtering Efficiency class / Qmin\_Air flow (in m<sup>3</sup>/h) at min speed in normal use / Qmax\_Air flow (in m<sup>3</sup>/h) at max speed in normal use / Qboost\_Air flow (in m<sup>3</sup>/h) at intensive or boost setting (max air-flow) / SPEmin\_Airborne acoustical A-weighted sound power emissions at min speed in normal use / SPEmax\_Airborne acoustical A-weighted sound power emissions at max speed in normal use / SPEboost\_Airborne acoustical A-weighted sound power emissions (in dB) at intensive or boost setting / PO\_Power consumption in off mode (Po) / Ps\_Power consumption in stand by mode (Ps). **PI\_Additional information according to 66/2014** F\_Time increase factor / EEl\_Energy Efficiency Index / Qbep\_Measured air flow rate at best efficiency point / Pbep\_Measured air pressure at best efficiency point / Qboost\_Maximum air flow / Wbep\_Measured electric power input at best efficiency point / WL\_Nominal power of the lighting system / Emiddle\_Average illumination of the lighting system on the cooking surface / Lwa=SPEmax\_Sound pressure level at the highest speed.