

## MOVE

### Version

FDMOV36W5SB / Built-in – 36"  
(90 cm) Black – 500 CFM

### Collection

Design

### EAN code

8034122356327

## FEATURES

**Sliding door**  
**Electronic control**  
**Metallic grease filter, removable and washable**  
**Optional combined regenerable Carbon.Zeo filter**  
**Possible to duct wall mounted from rear**  
**Optional Chimney**  
**Optional glass shelf**  
**Dynamic LED Light (2700K - 5600K)**

Availability Carbon.Zeo filter  
KACL.961 for hoods produced  
from 02/05/2021

Recommended mounting height  
from cooking surface to hood  
bottom: 20"

## OPTIONAL ACCESSORIES

### FDNUVMTR600

FDNUVMTR600 - Motor 600  
CFM

### KACL.107

Glass shelf 90 cm

### KACL.815

Protective cleaning cloths for  
stainless steel (box 10 pcs)

### KACL.961

Charcoal and Zeolite filter

## TECHNICAL FEATURES

### Installation type

Built-in

### Dimensions

36 / 90 cm

### Finish

Scotch brite stainless steel (AISI  
304)

Lower part in black tempered  
glass

### Motor

500 CFM

### Type of control

Electronic control

### Speed settings

4

### Lighting

Led 3x1,2 W - 3200 K

### Filter

Metallic filter "Base" - 198x161  
mm

### Charcoal filter

Charcoal and Zeolite filter  
(optional)

### Minimum distance

Gas hob: 21 in

Electric hob: 21 in



Photograph is for information purposes only  
May not correspond to the selected version

## PACKAGING:WEIGHTS AND VOLUMES

### Gross weight

45 lbs

### Net weight

38 lbs

### Volumes

7 ft<sup>3</sup>

### Packaging size

Length

40 in

Height

17 in

Depth

19 in

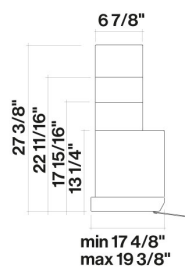
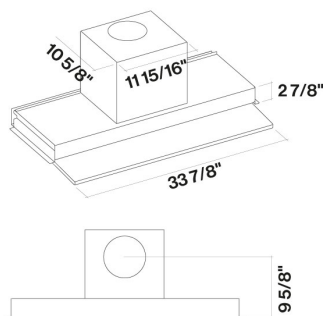
## CONSUMPTION AND CONNECTION FEATURES

### Maximum consumption

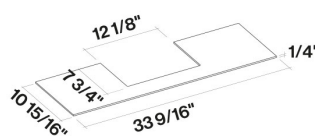
280 W

### Plug type

Hood comes standard with Nema  
5-15P power cord



Optional chimney



Optional shelf