

## ALBA

### Version

Remote under-roof 1100 m<sup>3</sup>/h  
Brushless

### Collection

Design+

### EAN code

8034122359526



*The photograph is purely for information  
It may not correspond to the selected version.*

## FEATURES

Perimeter suction  
Electronic control  
Metallic grease filter,  
removable and washable  
Remote control included  
Perimeter Led Lighting  
Glass perimeter frame  
Matte white painted panel  
Possibility of painting the panel

## OPTIONAL ACCESSORIES

### KACL.782#49F

Slim motor 800 m<sup>3</sup>/h

### KACL.786#41F

Outdoor extractor fan 1000  
m<sup>3</sup>/h

### KACL.796#4AF

Outdoor extractor fan 1500 m<sup>3</sup>/h

### KACL.797#4AF

Remote under-roof motor 1300  
m<sup>3</sup>/h

### KACL.798#41F

Remote under-roof motor 950  
m<sup>3</sup>/h

## TECHNICAL FEATURES

### Installation type

Ceiling

### Dimensions

120 cm

### Finishing

Electronic control

### Type of control

Electronic control

### Speed settings

4

### Lighting

LED (4000 K)

## PACKAGING:WEIGHTS AND VOLUMES

### ALBA Gross weight

52.2 kg

### Net weight

45.2 kg

### Volumes

0.37 m<sup>3</sup>

### Packaging size

Length

1395 mm

Height

310 mm

Depth

865 mm

### REMOTE MOTOR Remote

under-roof 1100 m<sup>3</sup>/h

Brushless **Gross weight**

9.2 kg

### Net weight

8 kg

### Volumes

0.06 m<sup>3</sup>

### Packaging size

Length

435 mm

Height

340 mm

Depth

385 mm

## CONSUMPTION AND CONNECTION FEATURES

### Maximum consumption

90 W

### Voltage

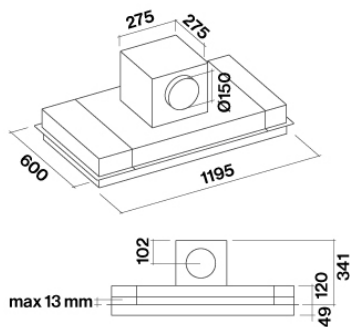
220-240V

### Frequency

50-60Hz

### ENERGY CLASS

0



*Hood and motor dimensions*