

## MOVE

### Version

Built-in 90 cm - White - 800 m<sup>3</sup>/h

### Collection

Design

### EAN code

8034122352176



The photograph is purely for information  
It may not correspond to the selected version.

## FEATURES

**Scotch brite stainless steel (AISI 304)**  
**Lower part in white tempered glass**  
**Sliding door**  
**Electronic control**  
**Metallic grease filter, removable and washable**  
**Optional combined regenerable Carbon.Zeo filter**  
**Possible to duct wall mounted from rear**  
**Optional Chimney**  
**Optional glass shelf**  
**Dynamic LED Light (2700K - 5600K)**

## OPTIONAL ACCESSORIES

### KACL.934

Carbon.Zeo filters

### KACL.815

Protective cleaning cloths for stainless steel (box 10 pcs)

### KACL.798#41F

Remote under-roof motor 950 m<sup>3</sup>/h

### KACL.770#41F

Remote under-roof 1100 m<sup>3</sup>/h  
Brushless

### KACL.786#41F

Outdoor extractor fan 1000 m<sup>3</sup>/h

### KACL.796#4AF

Outdoor extractor fan 1500 m<sup>3</sup>/h

### KACL.797#4AF

Remote under-roof motor 1300 m<sup>3</sup>/h

## TECHNICAL FEATURES

### Installation type

Built-in

### Dimensions

90 cm

### Finishing

Scotch brite stainless steel (AISI 304)

Lower part in white tempered glass

### Motor

800 m<sup>3</sup>/h

### Type of control

Electronic control

### Speed settings

4

### Lighting

Led 3x1,2 W - 2700 K / 5600 K

### Filter

Metallic filter "Base" - 198x161 mm - 2 pz

### Charcoal filter

Carbon.Zeo filters

### Minimum distance

Gas hob: 52 cm

Electric hob: 52 cm

## PACKAGING:WEIGHTS AND VOLUMES

### Gross weight

20.20 kg

### Net weight

16.80 kg

### Volume

0.18 m<sup>3</sup>

### Packaging size

Length

995 mm

Height

465 mm

Depth

395 mm

## CONSUMPTION AND CONNECTION FEATURES

### Maximum consumption

280 W

### Voltage / Frequency

220-240V

50-60Hz

### Plug type

Shuko

## MOTOR TECHNICAL SHEET

### Maximum capacity

680 m<sup>3</sup>/h

I.E.C. 61591

### Maximum noise level

68 dB(A)re1pW

I.E.C.60704-2-13

### Maximum pressure (Pa)

500 Pa

### Max. motor power

215 W

### ENERGY CLASS

B

## MOVE

### Version

Built-in 90 cm - White - 800 m<sup>3</sup>/h

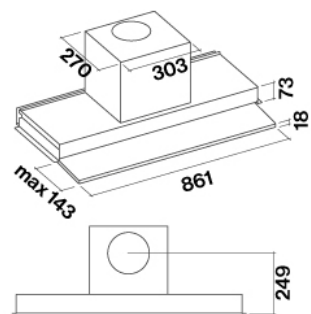
### Collection

Design

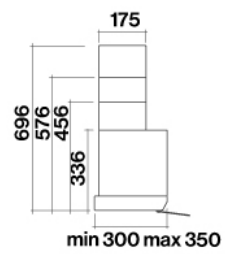
### EAN code

8034122352176

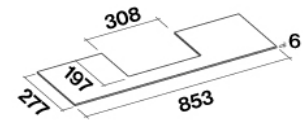
Hood and rear view



Optional chimney



Optional shelf



## MOVE

### Version

Built-in 90 cm - White - 800 m<sup>3</sup>/h

### Collection

Design

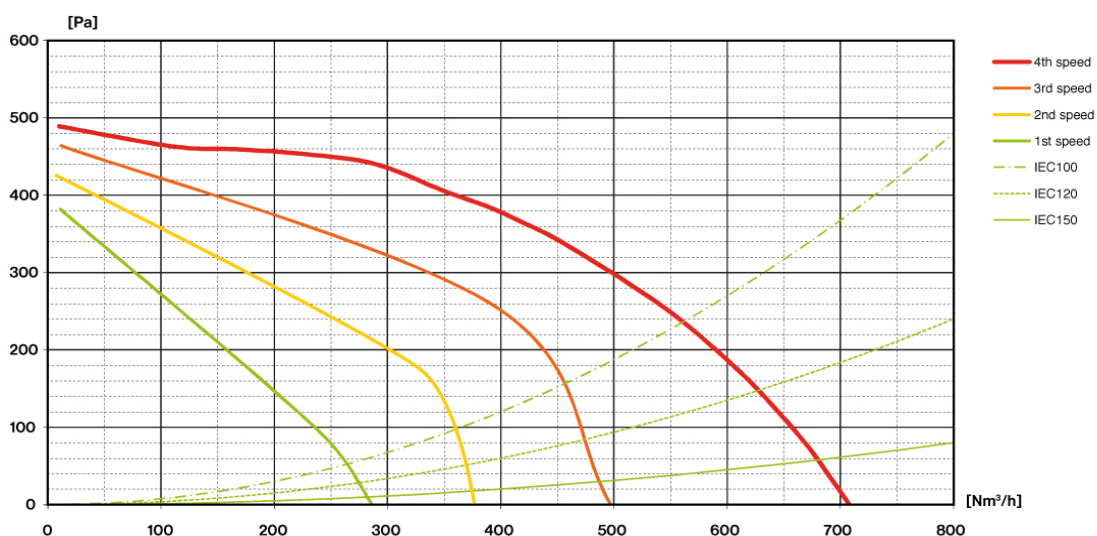
### EAN code

8034122352176

## MOTOR TECHNICAL SHEET

Motor speed	1	2	3	4
Noise level dB(A)re1pW-I.E.C.60704-2-13	49	56	62	68
Capacity (m <sup>3</sup> /h) I.E.C.61591 Normalized Pipes	280	370	480	680
Maximum pressure (Pa)	390	420	480	500
Motor Power (W)	132	153	175	215
Air outlet	150	150	150	150

## CAPACITY / PRESSURE



## MOVE

### Version

Built-in 90 cm - White - 800 m<sup>3</sup>/h

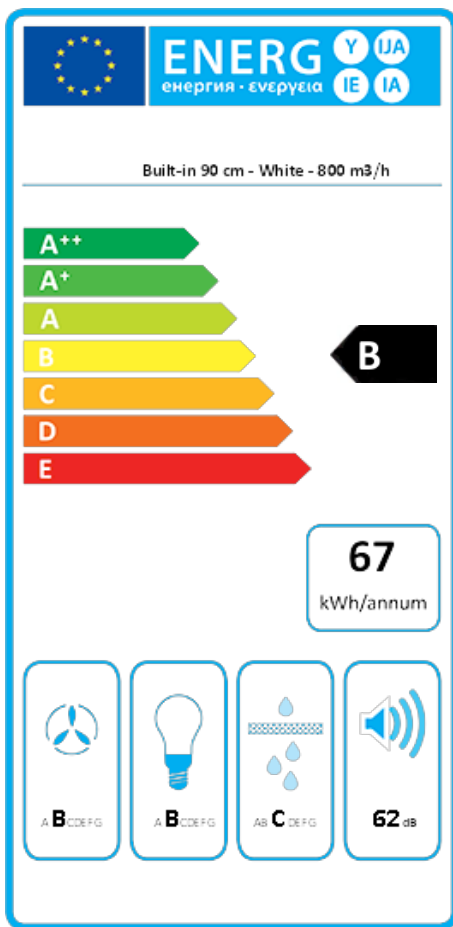
### Collection

Design

### EAN code

8034122352176

## ENERGY LABEL



PF		
<b>S</b>	Falmec Spa	
<b>M</b>	Built-in 90 cm - White - 800 m <sup>3</sup> /h	
<b>AEC</b>	67,0	kWh/a
<b>ECC</b>	B	
<b>FDE</b>	26,3	
<b>FDEC</b>	B	
<b>LE</b>	20,7	
<b>LEC</b>	B	
<b>GFE</b>	80,0	
<b>GFEC</b>	C	
<b>Qmin</b>	280,0	m <sup>3</sup> /h
<b>Qmax</b>	480,0	m <sup>3</sup> /h
<b>Qboost</b>	680,0	m <sup>3</sup> /h
<b>SPEmin</b>	49	dBa
<b>SPEmax</b>	62	dBa
<b>SPEboost</b>	68	dBa
<b>PO</b>	-	W
<b>PS</b>	0,48	W
PI		
<b>F</b>	1,1	
<b>EEl</b>	64,3	
<b>Qbep</b>	382,0	m <sup>3</sup> /h
<b>Pbep</b>	384	Pa
<b>Qboost</b>	680,0	m <sup>3</sup> /h
<b>Wbep</b>	155,1	W
<b>WL</b>	6,50	W
<b>Emiddle</b>	134	lux
<b>Lwa-SPEmax</b>	62	dBa

**PF\_Product fiche according to 65/2014** S\_Supplier name / M\_Model identification / AEC\_Annual Energy Consumption (AEC hood) / EEC\_Energy Efficiency class / FDE\_Fluid Dynamic Efficiency (FDE hood) / FDEC\_Fluid Dynamic Efficiency class / LE\_Lighting Efficiency (LE hood) / LEC\_Lighting Efficiency class / GFE\_Grease Filtering Efficiency / GFEC\_Grease Filtering Efficiency class / Qmin\_Air flow (in m<sup>3</sup>/h) at min speed in normal use / Qmax\_Air flow (in m<sup>3</sup>/h) at max speed in normal use / Qboost\_Air flow (in m<sup>3</sup>/h) at intensive or boost setting (max air-flow) / SPEmin\_Airborne acoustical A-weighted sound power emissions at min speed in normal use / SPEmax\_Airborne acoustical A-weighted sound power emissions at max speed in normal use / SPEboost\_Airborne acoustical A-weighted sound power emissions (in dB) at intensive or boost setting / PO\_Power consumption in off mode (Po) / Ps\_Power consumption in stand by mode (Ps). **PI\_Additional information according to 66/2014** F\_Time increase factor / EEl\_Energy Efficiency Index / Qbep\_Measured air flow rate at best efficiency point / Pbep\_Measured air pressure at best efficiency point / Qboost\_Maximum air flow / Wbep\_Measured electric power input at best efficiency point / WL\_Nominal power of the lighting system / Emiddle\_Average illumination of the lighting system on the cooking surface / Lwa=SPEmax\_Sound pressure level at the highest speed.