

MARILYN E.ION

Version

Wall 67 cm - White - 450 m³/h

Collection

E.ion Collection

EAN code

8034122347929



The photograph is purely for information
It may not correspond to the selected version.

FEATURES

White ceramic
Lower part in tempered glass
Ionising system for air purification
Perimeter suction
Touch control + leaf sensor
LED lighting
Top filter, removable and washable
Combined Carbon.Zeo filter, regenable

TECHNICAL FEATURES

Installation type
Wall

Dimensions
67 cm

Finishing
Lower part in tempered glass
White ceramic

Motor
450 m³/h

Type of control
Touch control

Lighting
Led 4x1,2 W - 3200 K

Filter
Metallic filter "Top" - 235x306 mm - 2 pz

Charcoal filter
Carbon.Zeo filters - included

Minimum distance
Gas hob: 60 cm
Electric hob: 52 cm

PACKAGING:WEIGHTS AND VOLUMES

Gross weight
41.00 kg

Net weight
36.00 kg

Volume
0.34 m³

Packaging size
Length
995 mm
Height
595 mm
Depth
570 mm

MOTOR TECHNICAL SHEET

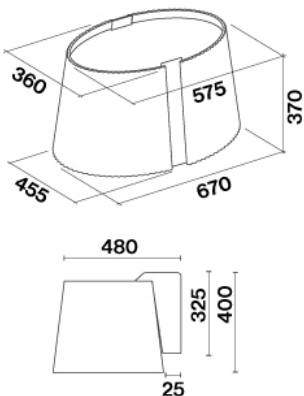
Maximum noise level
65 dB(A)re1pW
I.E.C.60704-2-13

Max. motor power
140 W

CONSUMPTION AND CONNECTION FEATURES

Maximum consumption
130 W

Voltage / Frequency
220-240V
50-60Hz



MARILYN E.ION

Version

Wall 67 cm - White - 450 m³/h

Collection

E.ion Collection

EAN code

8034122347929

MOTOR TECHNICAL SHEET

Motor speed	1	2	3	4
Noise level dB(A)re1pW-I.E.C.60704-2-13	56	61	63	65
Capacity (m3/h) I.E.C.61591 Normalized Pipes				
Maximum pressure (Pa)				
Motor Power (W)	75	90	100	140
Air outlet				