

MARE E.ION

Version

Wall 66 cm - White - 450 m³/h

Collection

E.ion Collection

EAN code

8034122347936



*The photograph is purely for information
It may not correspond to the selected version.*

FEATURES

White glass
Ionising system for air purification
Perimeter suction
Touch control + leaf sensor
LED lighting
Top filter, removable and washable
Combined Carbon.Zeo filter, regenable

TECHNICAL FEATURES

Installation type
Wall

Dimensions
66 cm

Finishing
White glass

Motor
450 m³/h

Type of control
Touch control

Speed settings
4

Lighting
Led 4x1,2 W - 3200 K

Filter
Metallic filter "Top" - 235x306 mm - 2 pz

Charcoal filter
Carbon.Zeo filters - included

Minimum distance
Gas hob: 60 cm
Electric hob: 52 cm

PACKAGING:WEIGHTS AND VOLUMES

Gross weight
37.00 kg

Net weight
32.00 kg

Volume
0.34 m³

Packaging size
Length
995 mm
Height
595 mm
Depth
570 mm

MOTOR TECHNICAL SHEET

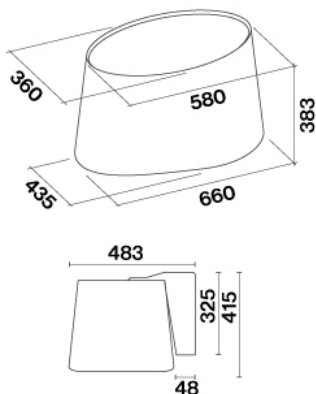
Maximum noise level
65 dB(A)re1pW
I.E.C.60704-2-13

Max. motor power
140 W

CONSUMPTION AND CONNECTION FEATURES

Maximum consumption
130 W

Voltage / Frequency
220-240V
50-60Hz



MARE E.ION

Version

Wall 66 cm - White - 450 m³/h

Collection

E.ion Collection

EAN code

8034122347936

MOTOR TECHNICAL SHEET

Motor speed	1	2	3	4
Noise level dB(A)re1pW-I.E.C.60704-2-13	56	61	63	65
Capacity (m3/h) I.E.C.61591 Normalized Pipes				
Maximum pressure (Pa)				
Motor Power (W)	75	90	100	140
Air outlet				