

ZENITH NRS

Version

Island - 800 m³/h

Collection

NRS Collection

EAN code

8034122354866

KACL.129

180 cm

Collection

Accessoires

EAN code

8034122710129

FEATURES

Scotch brite stainless steel (AISI 304)
NRS technology for a quieter kitchen
Electronic control
Metallic grease filter, removable and washable
Optional charcoal filter
Optional remote control
Central stripe made in brilliant steel
Tempered glass shelf
Diffuse illumination on the shelf

OPTIONAL ACCESSORIES

KACL.815
 Protective cleaning cloths for stainless steel (box 10 pcs)
KACL.400
 Silent / Conveyor NRS
101078898
 High Performance Filter

TECHNICAL FEATURES

Installation type
 Island
Dimensions
 180 cm
Finishing
 Scotch brite stainless steel (AISI 304)
 Tempered glass
Motor
 800 m³/h
Type of control
 Electronic control
Speed settings
 4
Lighting
 84 W (5500K)
Filter
 Metallic filter - Zenith Island - 2 pz
Charcoal filter
 High Performance Filter
Minimum distance
 Gas hob: 60 cm
 Electric hob: 52 cm

PACKAGING:WEIGHTS AND VOLUMES

ZENITH NRS
 Island - 800 m³/h
Gross weight
 38.00 kg
Net weight
 32.00 kg
Volume
 0.42 m³
Packaging size
 Length
 1070 mm
 Height
 870 mm
 Depth
 450 mm

GLASS KIT
 180 cm
Gross weight
 58.00 kg
Net weight
 36.00 kg
Volumes
 0.24 m³
Packaging size
 Length
 1865 mm
 Height
 185 mm
 Depth
 695 mm

CONSUMPTION AND CONNECTION FEATURES

Maximum consumption
 350 W
Voltage / Frequency
 220-240V
 50-60Hz
Plug type
 Shuko

MOTOR TECHNICAL SHEET

Maximum capacity
 610 m³/h
 I.E.C. 61591
Maximum noise level
 54,5 dB(A)re1pW
 I.E.C.60704-2-13
Maximum pressure (Pa)
 510 Pa
Max. motor power
 224 W
ENERGY CLASS
 C

ZENITH NRS

Version
Island - 800 m³/h

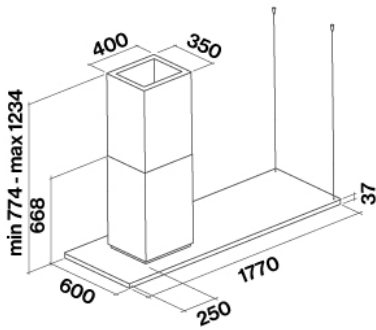
Collection
NRS Collection

EAN code
8034122354866

KACL.129
180 cm

Collection
Accessoires

EAN code
8034122710129



ZENITH NRS

Version

Island - 800 m³/h

Collection

NRS Collection

EAN code

8034122354866

KACL.129

180 cm

Collection

Accessoires

EAN code

8034122710129

MOTOR TECHNICAL SHEET

Motor speed	1	2	3	4
Noise level dB(A)re1pW-I.E.C.60704-2-13	37	41	46	54,5
Capacity (m3/h) I.E.C.61591 Normalized Pipes	220	290	375	610
Maximum pressure (Pa)	390	440	490	510
Motor Power (W)	130	150	178	224
Air outlet	150	150	150	150

ZENITH NRS

KACL.129

180 cm

Version

Island - 800 m³/h

Collection

NRS Collection

EAN code

8034122354866

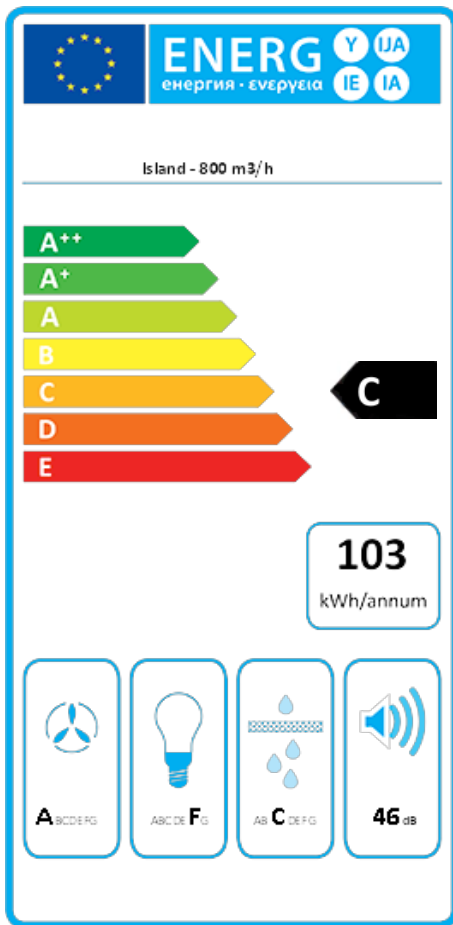
Collection

Accessoires

EAN code

8034122710129

ENERGY LABEL



PF		
S	Falmec Spa	
M	Island - 800 m ³ /h	
AEC	103,3	kWh/a
ECC	C	
FDE	28,9	
FDEC	A	
LE	6,8	
LEC	F	
GFE	76,0	
GFEC	C	
Qmin	220,0	m ³ /h
Qmax	375,0	m ³ /h
Qboost	610,0	m ³ /h
SPEmin	37	dBa
SPEmax	46	dBa
SPEboost	55	dBa
PO	-	W
PS	0,48	W
PI		
F	1,0	
EEl	80,0	
Qbep	369,0	m ³ /h
Pbep	369	Pa
Qboost	610,0	m ³ /h
Wbep	131,0	W
WL	76,00	W
Emiddle	519	lux
Lwa-SPEmax	46	dBa

PF_Product fiche according to 65/2014 S_Supplier name / M_Model identification / AEC_Annual Energy Consumption (AEC hood) / EEC_Energy Efficiency class / FDE_Fluid Dynamic Efficiency (FDE hood) / FDEC_Fluid Dynamic Efficiency class / LE_Lighting Efficiency (LE hood) / LEC_Lighting Efficiency class / GFE_Grease Filtering Efficiency / GFEC_Grease Filtering Efficiency class / Qmin_Air flow (in m³/h) at min speed in normal use / Qmax_Air flow (in m³/h) at max speed in normal use / Qboost_Air flow (in m³/h) at intensive or boost setting (max air-flow) / SPEmin_Airborne acoustical A-weighted sound power emissions at min speed in normal use / SPEmax_Airborne acoustical A-weighted sound power emissions at max speed in normal use / SPEboost_Airborne acoustical A-weighted sound power emissions (in dB) at intensive or boost setting / PO_Power consumption in off mode (Po) / Ps_Power consumption in stand by mode (Ps). **PI_Additional information according to 66/2014** F_Time increase factor / EEl_Energy Efficiency Index / Qbep_Measured air flow rate at best efficiency point / Pbep_Measured air pressure at best efficiency point / Qboost_Maximum air flow / Wbep_Measured electric power input at best efficiency point / WL_Nominal power of the lighting system / Emiddle_Average illumination of the lighting system on the cooking surface / Lwa=SPEmax_Sound pressure level at the highest speed.