

DOWN DRAFT

KACL.784#46F

120 -

EAN

8034122708218

Design+

EAN

8034122348582



(AISI 304)

120 cm

(AISI 304)

4

DOWN DRAFT

120 -

190 W

52.60 kg

220-240V

43.20 kg

Volume

50-60Hz

0.43 m³

Shuko

1395 mm

865 mm

355 mm

630 m³/h
I.E.C. 61591

67 dB(A)re1pW
I.E.C.60704-2-13

10.30 kg

400 Pa

()

KACL.815

(10)

9.00 kg

270 W

0.07 m³

B

515 mm

440 mm

320 mm

DOWN DRAFT

KACL.784#46F

120 -

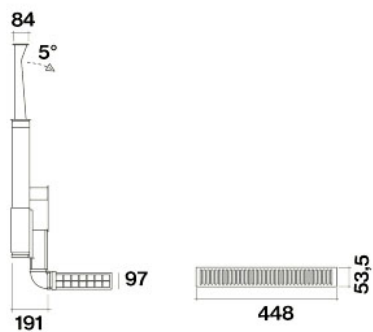
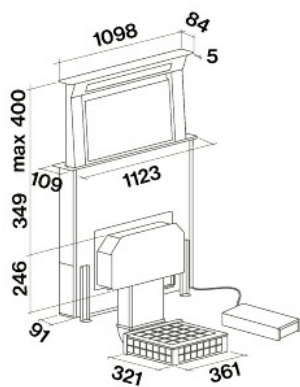
EAN

8034122708218

Design+

EAN

8034122348582



DOWN DRAFT

KACL.784#46F

120 -

EAN

8034122708218

Design+

EAN

8034122348582

	1	2	3	4
dB(A)re1pW-I.E.C.60704-2-13	52	57	64	67
I.E.C.61591 (m3/h)	325	330	550	630
()	450	500	400	400
(W)	200	230	240	270
	0	0	0	0

DOWN DRAFT

KACL.784#46F

120 -

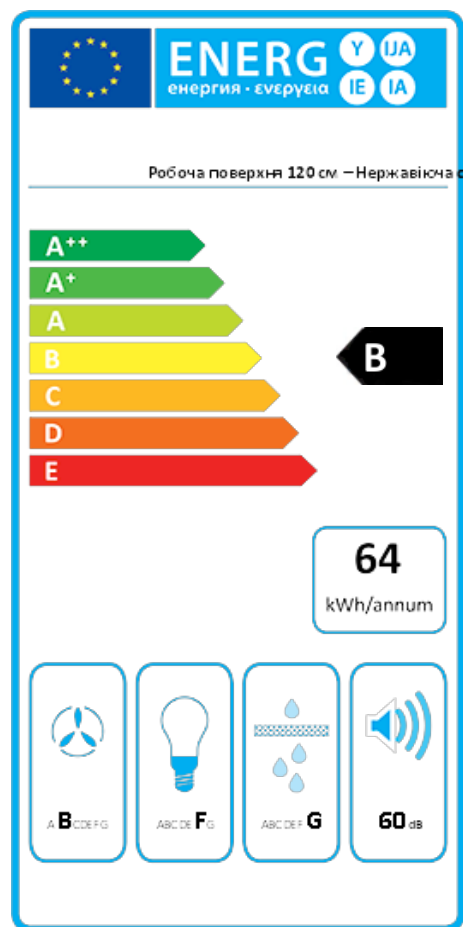
EAN

8034122708218

Design+

EAN

8034122348582



PF		
S	Falmec Spa	
M	120 -	
AEC	63,9	kWh/a
ECC	B	
FDE	20,9	
FDEC	B	
LE	6,5	
LEC	F	
GFE	36,0	
GFEC	G	
Qmin	260,0	m ³ /h
Qmax	420,0	m ³ /h
Qboost	560,0	m ³ /h
SPEmin	50	dBa
SPEmax	60	dBa
SPEboost	66	dBa
PO	-	W
PS	0,95	W
PI		
F	1,2	
EEl	68,6	
Qbep	289,0	m ³ /h
Pbep	351	Pa
Qboost	560,0	m ³ /h
Wbep	135,0	W
WL	6,50	W
Emiddle	42	lex
Lwa-SPEmax	60	dBa