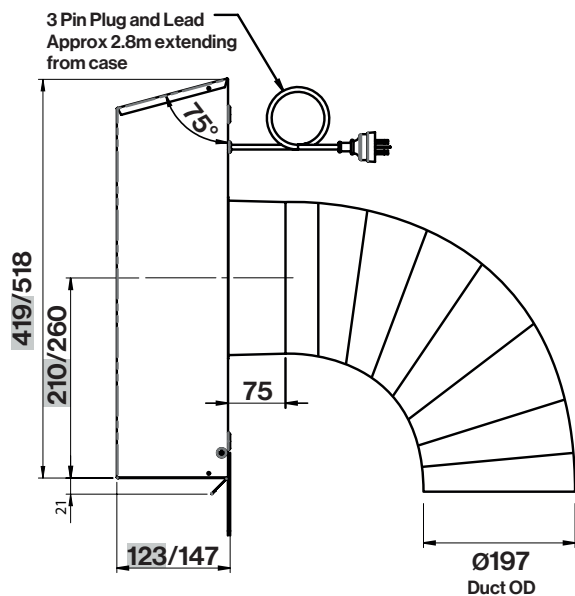


TECHNICAL SHEET

REMOTE MOTOR SOLUTIONS

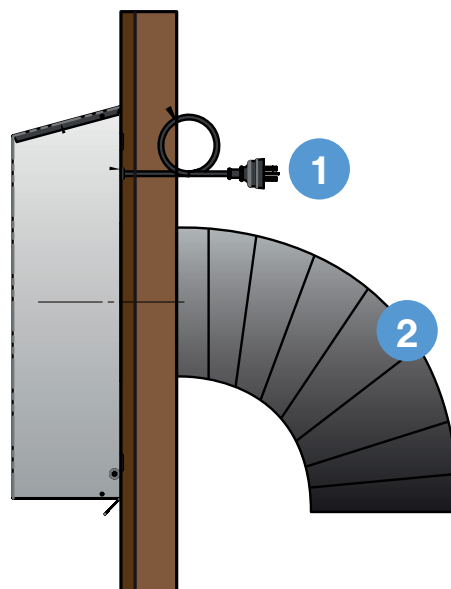
External wall solution

765 m³/h - 1140 m³/h - 2010 m³/h



EW-765 Dimensions

EW-1140/2010 Dimensions



1. Fan power supply (connects to internal hood unit)

2. 200mm flexi ducting (attached to internal hood unit)*

**Advise to include gentle bend in duct run as well
ensuring ducting is pulled tight and excess removed.*