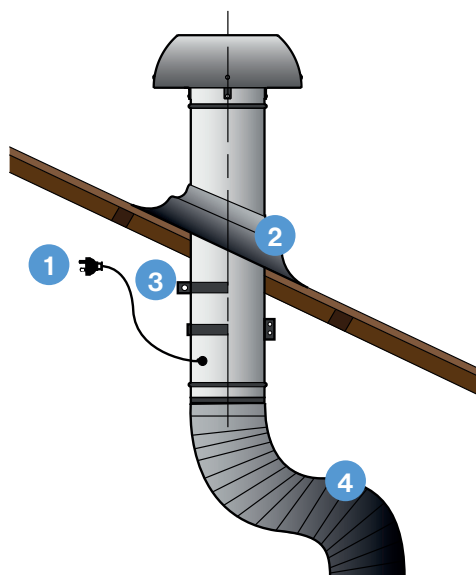
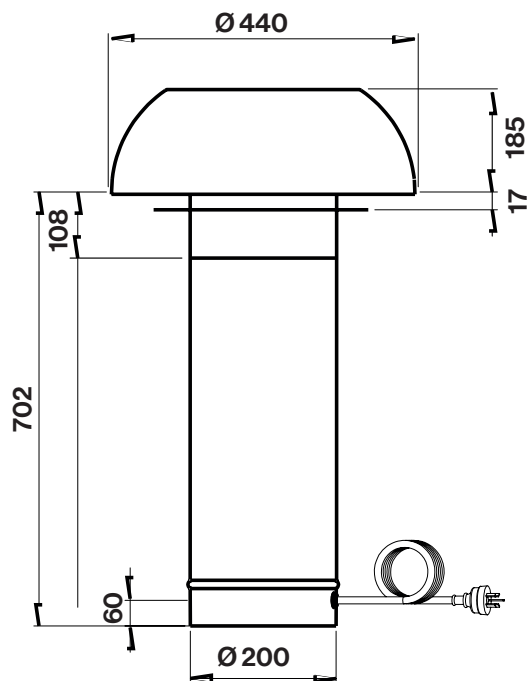


TECHNICAL SHEET

REMOTE MOTOR SOLUTIONS

External roof solution
765 m³/h - 1140 m³/h - 2010 m³/h



1. Fan power supply connects to internal hood unit
2. Tile or metal roof flashing (optional accessory)
3. Rigid duct mount (optional accessory)
4. 200mm flexi ducting (attached to internal hood unit)*

**Advise to include gentle bend in duct run as well ensuring ducting is pulled tight and excess removed.*

We recommend to install the roof motor offset from rangehood to avoid direct noise travel.